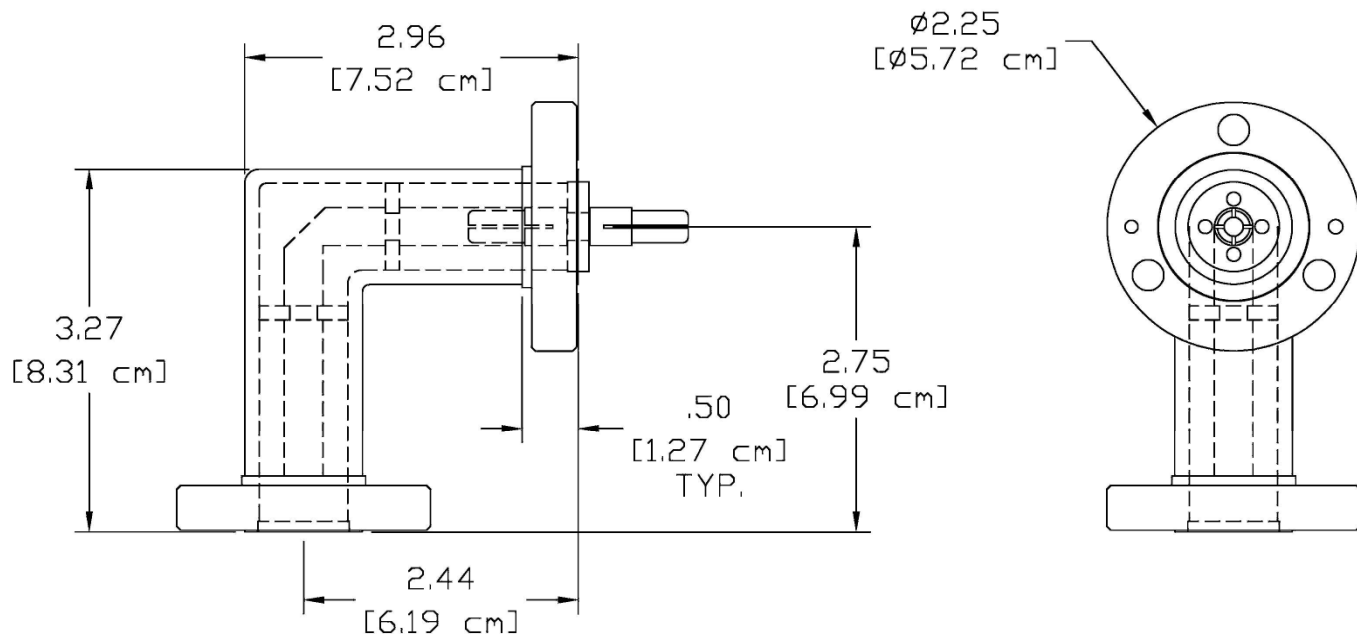


PART# 780626

7/8-50 ohm Elbow, 90 Degree, Unequal Leg, Brass Casting, Swivel Flanged

Includes: (1) Inner Connector with Anchor insulator, (1) O-ring, (1) Flange Hardware Kit

Weight: 1.25 Lbs.



SWR, LP
619 Industrial Park Rd.
Ebensburg, PA 15931
Phone: 814-472-5436
Fax: 814-472-5552
E-mail: davide@swr-rf.com